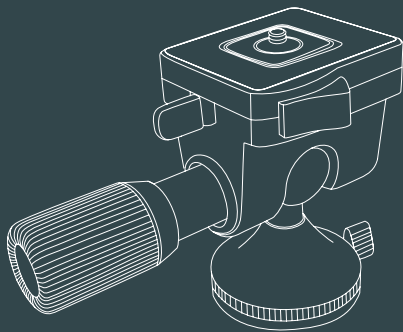


User Manual

Series : Faith Original

Type : Ball Head

Models: FH-F0100 \ FH-F0101 \ FH-F0200 \ FH-F0201



Faith[®]



Thank you very much for choosing Faith products. Please read the instructions and safety guidelines carefully before using the product. Not following them may be dangerous.

About Faith Original Series :

Faith Original is the series for professional aluminum products. For more information on the series, please visit: www.faitn-photo.com.

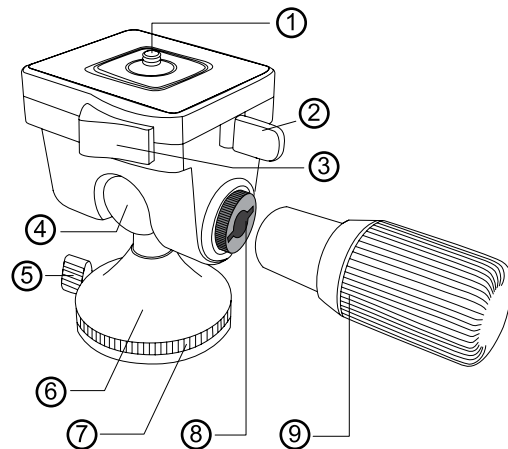
For product support and services, please contact us at:

Email : csteam@faitn-photo.com

WhatsApp/LINE/Signal : +852 9248 6755

Alternatively, you can send us your request using the contact forms from our website.

Parts



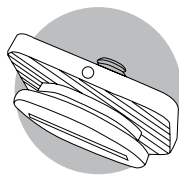
- ① Quick Release Plate (Click Plate)
- ② Plate Locking Lever A
- ③ Plate Locking Lever B
- ④ Ball Joint
- ⑤ Panning Base Lock
- ⑥ Panning Base
- ⑦ Panoramic Degree Marking
- ⑧ Friction Control
- ⑨ Ball Locking Handle

Specifications

Model	FH-F0100	FH-F0101	FH-F0200	FH-F0201
Net Weight	0.45 kg	0.47 kg	0.59 kg	0.60 kg
Load	10.00 kg		15.00 kg	
Height	9.60 cm		10.50 cm	
Ball Locking Handle	Standard	Extendable	Standard	Extendable
Opert.Temp.	-40 ~ 50°C			
Color Opt.	Olive \ Black			
Bottom Thread Opt.	1/4 inch \ 3/8 inch			

*Product specifications are subject to change without further notice. While we try to provide the most accurate information, we cannot be responsible for typographical errors in this manual.

About Click Plate

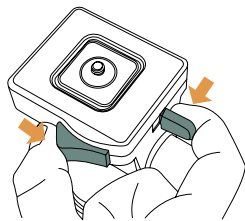


This small size Faith Original Quick Release Plate is compatible with all Faith Original Heads.

With our patented double locking system, you can mount and secure your camera or lens in just 1 second*.

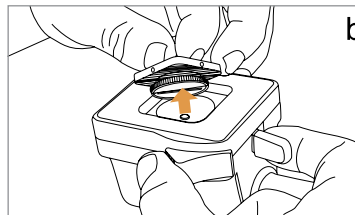
*Tested in Faith Photo Limited's laboratory, the actual result could vary according to different operator.

Installing Click Plate (Quick Release Plate)



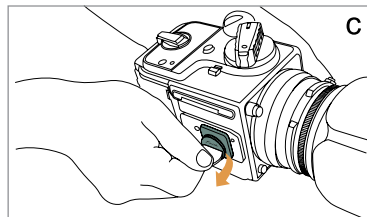
a

To release Click Plate, push both *Plate Locking Lever A* & *B* in the direction shown



b

Take out *Click Plate*.



c

Screw in *Click Plate* and tighten it with a coin.

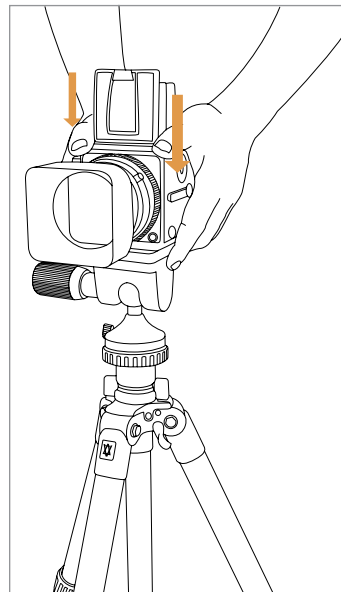
Mounting & Dismounting

To Mount

Gently press in the camera / lens until you hear the click sound. The *Plate Locking Lever A* should be in the “Lock” position.

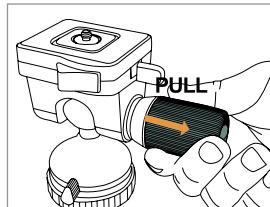
To Dismount

Push both *Plate Locking Lever A* and *Plate Locking Lever B* as shown in Step a on page 5.*



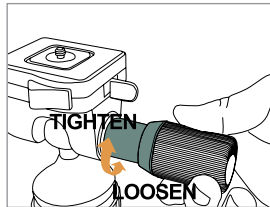
*Please be sure to hold your camera / lens when you release the *Click Plate*. Failing to do so might result in damaging your equipment due to lack of balance and support.

Ball Locking Handle & Friction Control

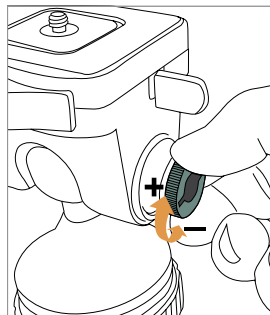


Pull to extend the *Ball Locking Handle* when a longer handle is needed.

This feature only applies to models: FH-F0101 & FH-F0201.



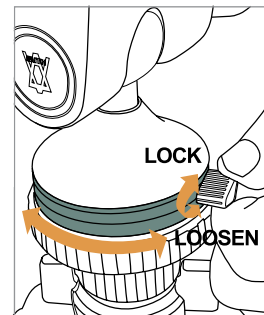
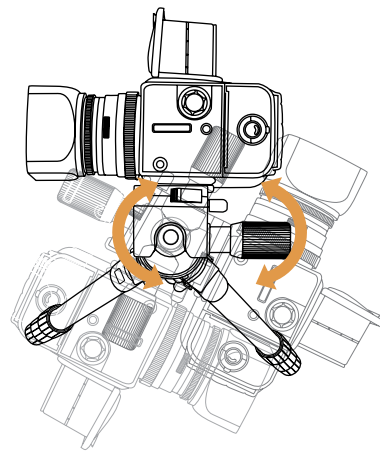
As shown, loosen the *Ball Locking Handle* to adjust your shooting angle, then tighten to lock.



The *Friction Control* is accessible by detaching the *Ball Locking Handle*. Turn it in the direction shown to adjust friction. *Please be sure to hold your camera / lens when you make adjustment. Failing to do so might result in damaging your equipment due to lack of balance and support.

Panoramic Shooting

After adjusting the shooting angle as desired, you can achieve panoramic shootings through use of the *Panning Base*.



For panoramic shootings, loosen the *Panning Base Lock* to achieve 360° panning.

Important Notes

>Regarding the use of Faith products

All Faith products have been designed precisely to make it easy and comfortable for our customers to use, for instance, our ball head can be locked with a gentle turn of its Ball Locking Handle.

Therefore, to ensure that the products can function properly, and to avoid damaging the product parts, we strongly advise our users to avoid overtightening the locking handles or twists, too much torque could result in faster rate of degradation (wear & tear) in products, or cause some product parts to malfunction.

Safety

1. This is not a toy. Children must be properly supervised by guardian(s) / adult(s) when using the product.
2. Do not disassemble, crush, bend, deform, shred, microwave or incinerate the product or parts.
3. Do not use the product near high voltage area.
4. Avoid usage below -40°C or above 50°C .
5. Do not exceed the product's Load capacity as stated in the Specification.
6. Only qualified personnel may repair this product.
7. Do not use lubricant on the product. Any abrasive cleansing tools should be avoided.

